



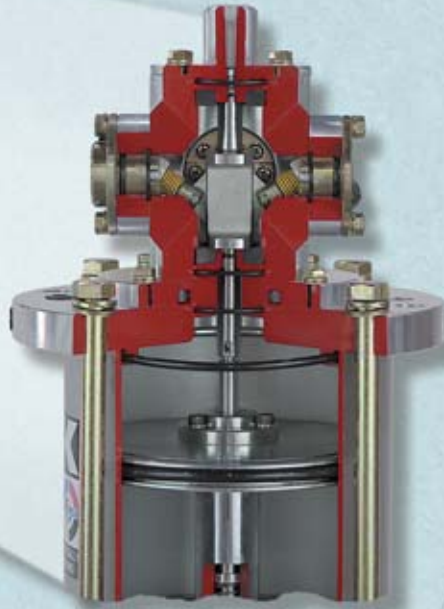
InkPRO 140 Printing Ink Supply Pump

*The Heartbeat...
of Consistent Color*

Yamada

YamadaInkPump.com





Yamada's "in-the-field" approach has yielded an accurate, well-engineered ink pump in an easy-to-use, low maintenance design.

Pump Technology Specifically Designed for Printing Inks!

Air Motor *(top-left cut-away inset)*

Outside Accessible Air Valve: If air valve inspection is necessary, there is no need to remove the pump from service.

Anti-Freezing: The InkPRO line of air valves are designed to reduce air consumption. Cycle speed is optimized to eliminate freezing.

Quiet Operation: The InkPRO line of air valves are designed to produce less noise during operation (less than 70dB within three feet).

Oil Container *(middle-left cut-away inset)*

No More Mess: Helps keep pump external environment ink-free by protecting against ink leakage.

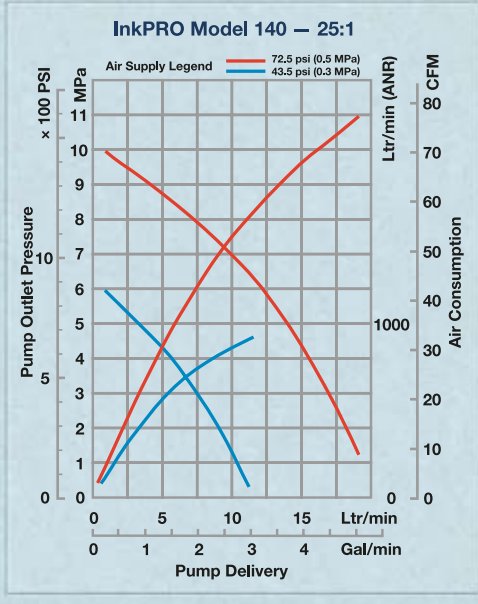
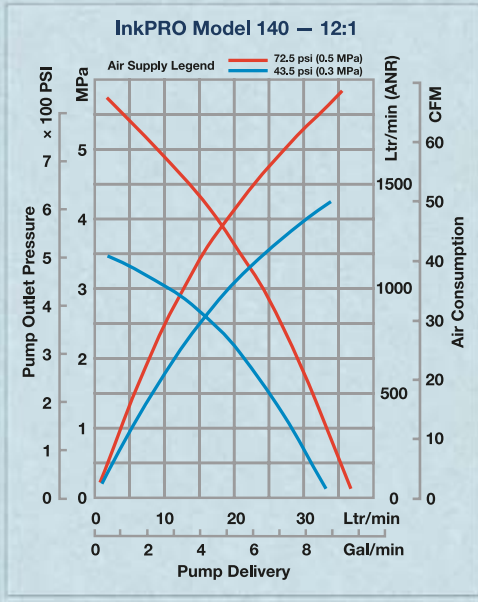
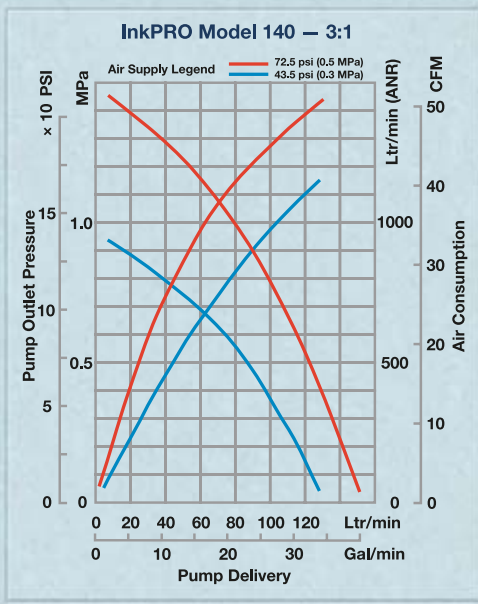
Improves pump life: Continually lubricates plunger, extending pump life.

Packing *(lower-left cut-away inset)*

Urethane Packing: The Yamada InkPRO line of pumps are specifically designed for Printing Inks, especially **high-viscosity inks**. Other manufacturer's products are designed for grease or spray applications and sell modified versions for pumping ink.

**InkPRO® Ink Pumps —
The Heartbeat of Consistent Color**

PERFORMANCE CURVES



InkPRO Tote-Type Ink Pump

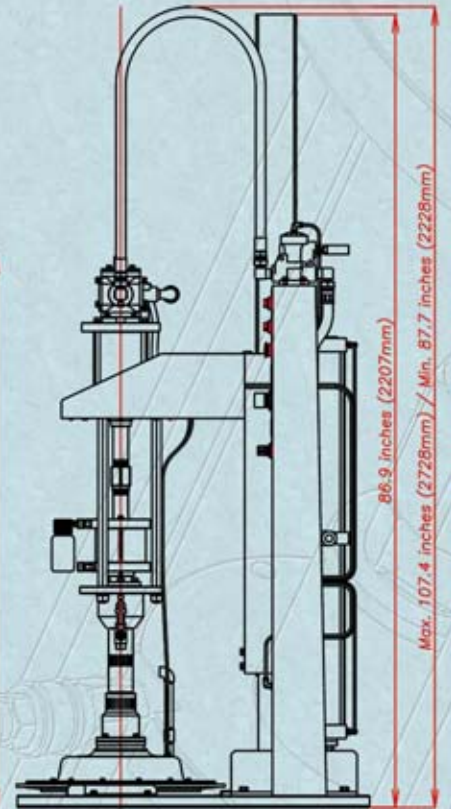
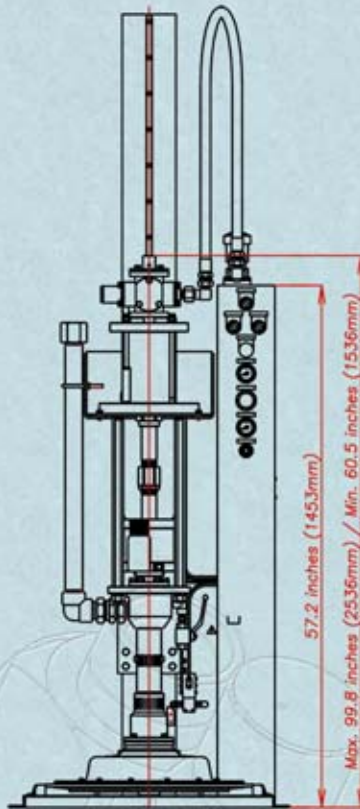
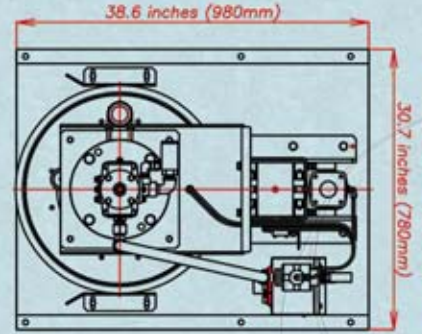
Tote-Type pumps are available in 3:1 or 12:1 ratios.

Drum-Type pumps are available in 12:1 or 25:1 ratios.



InkPRO 140 Drum-Type Ink Pump

Dimensions Drum-Type

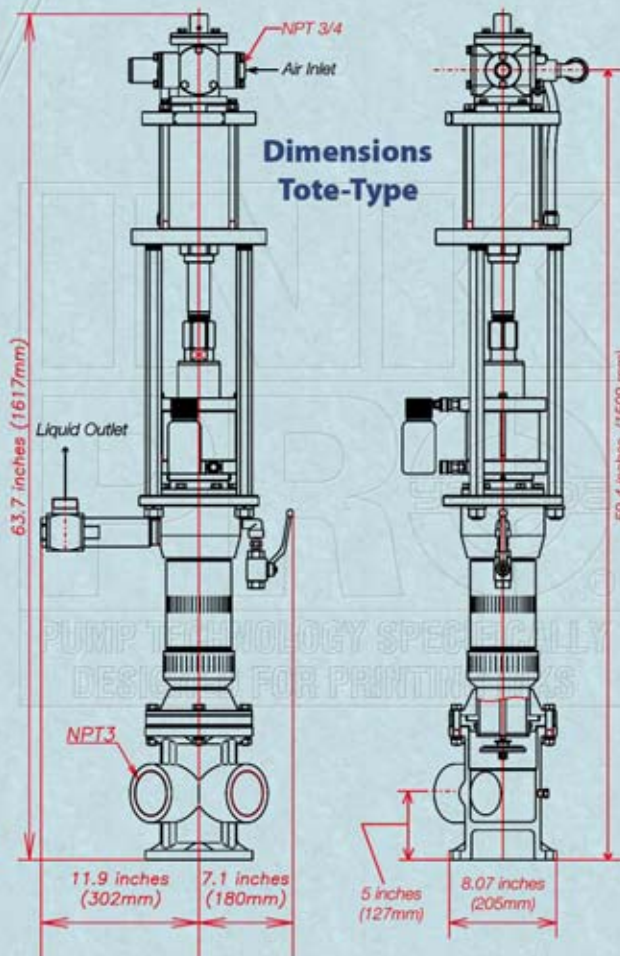


Inductor plate operation for drum-type pumps



InkPRO 140 Specifications

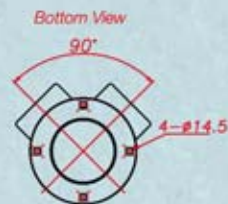
Air Motor Size		140 mm (5.5 inches)		
Ratio		3:1	12:1	25:1
Available Configurations		TOTE	TOTE / DRUM	DRUM
Operating Air Pressure	MPa	0.2 - 0.7	0.2 - 0.7	0.2 - 0.7
	psi	30 - 100	30 - 100	30 - 100
	bar	2 - 7	2 - 7	2 - 7
Discharge Volume Per Cycle	gal.	0.373	0.094	0.046
	lit.	1.411	0.355	0.174
Max. Discharge Volume	GPM	26.09	6.56	3.22
	LPM	98.77	24.85	12.18
Max. Discharge Pressure	MPa	1.52	5.1	8.4
	psi	220.46	739.69	1218.32
	bar	15.2	51	84
Delivery Port Dimensions		NPT 1-1/2"		NPT 3/4"
Air Consumption / Cycle	43.5 psi	SCFM	0.49	0.55
	72.5 psi		0.82	0.76
Air Supply Port Dimensions		NPT 3/4"		



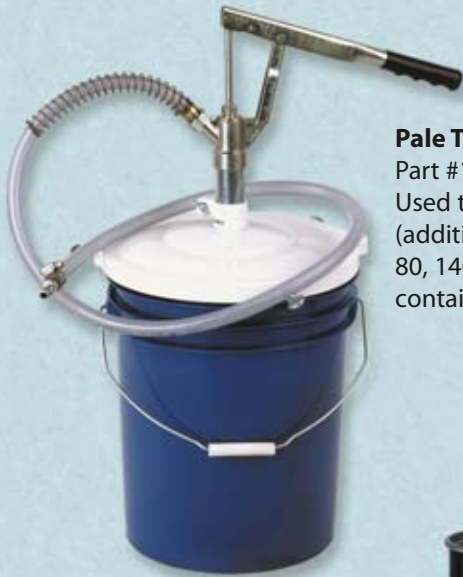
The Yamada Corporation

has been a leading producer of industrial equipment since 1905 and of fluid handling products for over 60 years.

As a pioneer of pumping technology, Yamada is known in many industries worldwide for its innovative products, superior quality, and unmatched reliability.



InkPRO® Ink Pump Accessories & Utility Pumps



Pale Top Oil Supply Pump

Part #1986

Used to supply ISO-grade 10 (additive-free) spindle oil to the 80, 140, 200, or 250 Series oil container.



Drum Pump for Solvents and Washing Liquids

Stainless steel or aluminum construction includes 2" bung adapter and 33" suction tube. Available in 3/8" and 3/4" port sizes with flow rates up to 28 GPM.

NDP Series Pumps

NDP-15, NDP-20, and NDP-25 Pumps



Yamada NDP Series Air-Powered Double Diaphragm Pumps

for dampener recirculation system or flexographic and rotogravure inks. **Applications:** Low viscosity inks; solvents and washing fluids. **Wetted materials:** 316 Stainless Steel, Aluminum, Polypropylene/Santoprene®, and Teflon®. Additional sizes and materials are available (see form #GB0805). **Port Sizes:** 1/2", 3/4", and 1" fluid ports. **Air Supply Pressure:** 20–100 PSI (1.4–7kgf/cm). **Flow Rates** from 15–49 GPM. **Maximum Size Solid** from 1/32"–3/16"

Visit www.yamadapump.com for further details, or phone 800 990-7867.

Spindle Oil Evacuation Gun

Part #1225

Used for evacuation of oil from the 80, 140, 200, or 250 Series oil container.



YOUR LOCAL REPRESENTATIVE:

Yamada

Yamada America, Inc.

1200 Nuclear Drive, West Chicago, Illinois 60185

800 990-7867 Toll-Free

630 231-4083 Phone 630 231-7405 Fax

E-mail: sales@yamadainkump.com

Web: www.yamadainkump.com