

# INK



PUMP TECHNOLOGY SPECIFICALLY  
DESIGNED FOR PRINTING INKS

## *Ink Pro 80 Printing Ink Supply Pump*

The Heartbeat...  
of Consistent color



**Yamada**  
INK PUMP SYSTEMS

A small, blue, stylized water drop icon is positioned below the text.

YamadaInkPump.com



## Yamada's "in-the-field" approach

has yielded an accurate, well-engineered ink pump in an easy-to-use, low-maintenance design.

### The InkPRO® Ink Pump—

#### Pump technology specifically designed for printing Inks-

Yamada Corporation, the global leader in pneumatic products for over 100 years, has developed the InkPRO® 80 exclusively for the transfer of high viscosity printing inks.

**Outside Accessible Air Valve** –Yamada has developed the latest in air valve technology to insure that your pump runs longer and requires less maintenance than leading competitive brands. If air valve inspection is necessary, there is no need to remove the pump from service - remove two bolts, access your air valve and minimize your down time.

**Unique Inductor Plate** –The transformable sealing system (U.S. patent no. 6,422,430) is designed to allow for very easy and clean drum changes.

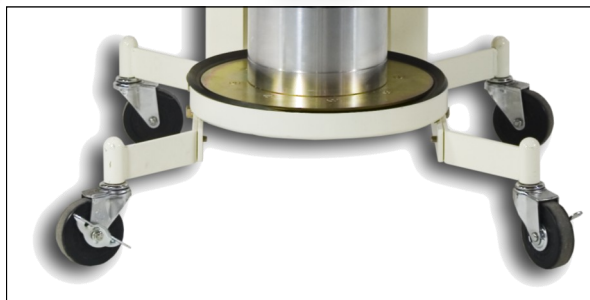
**Oil Container**–The visible plastic oil container protects against ink leakage (see through container), maintains a lubricated plunger, and extends gasket life. Lubrication maintenance is minimal.

**Low-Level Sensor**–Easily adjustable pneumatic low-level sensor prevents pump dry running.

**Anti-Freezing Design**–The high efficiency air valve is designed to reduce air consumption and cycling speed is optimized to eliminate freezing.

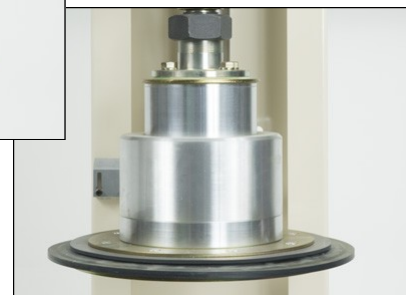
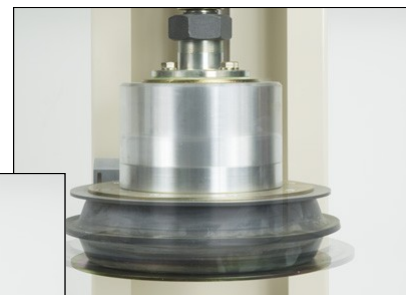
**Metering**–Precision, high quality construction insures accurate metering.

**Less Noise** –Quiet operation (less than 70dB within 3 feet) vs. competitive models.



Mobil base with locking casters available

InkPRO 80 Transformable Sealing System®



# InkPRO® 80

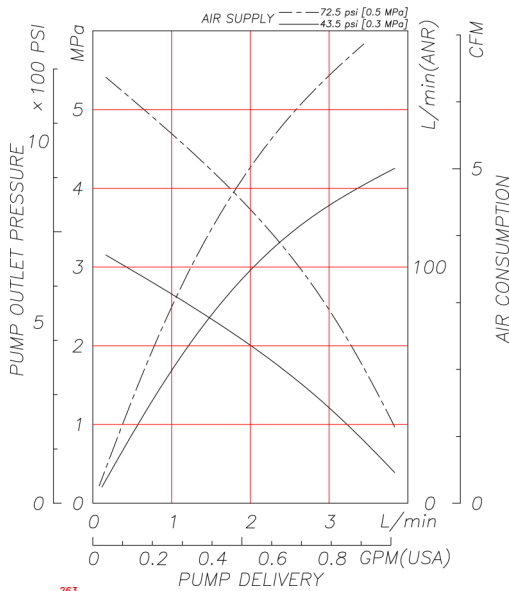
InkPRO—Type 80 10:1

## Specifications

InkPRO—Type 80 25:1

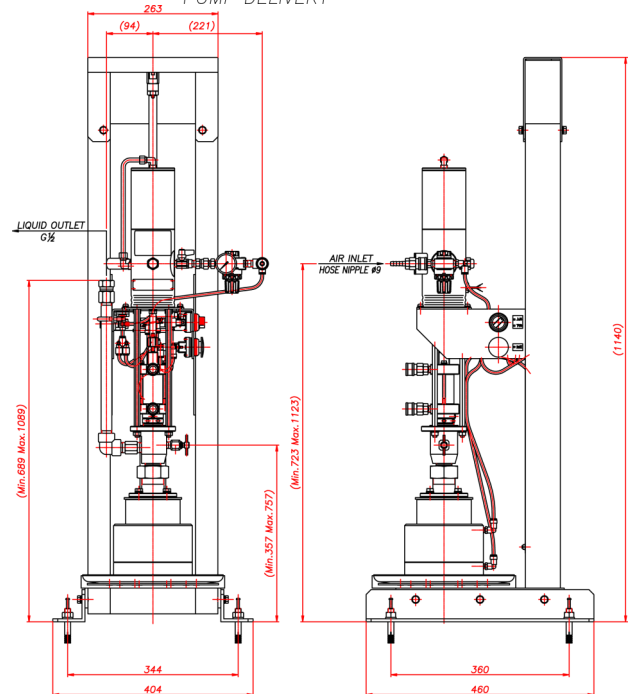
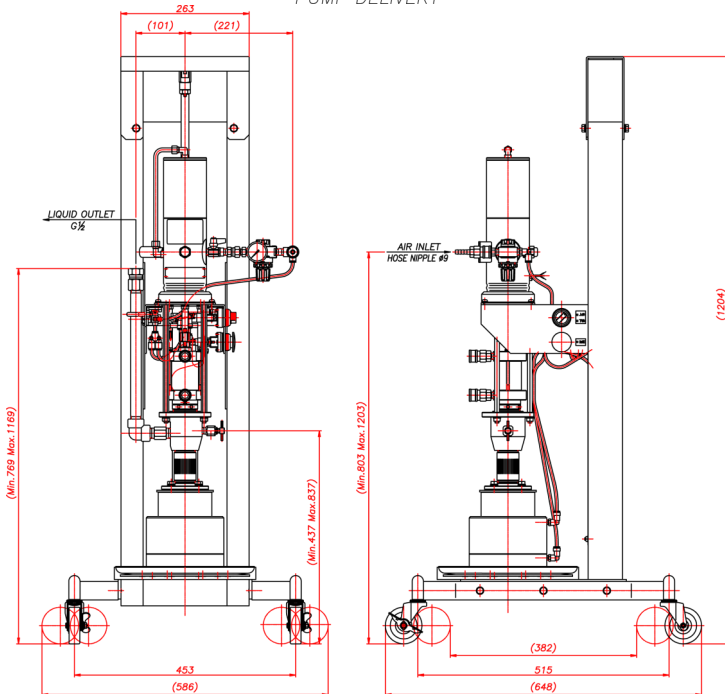
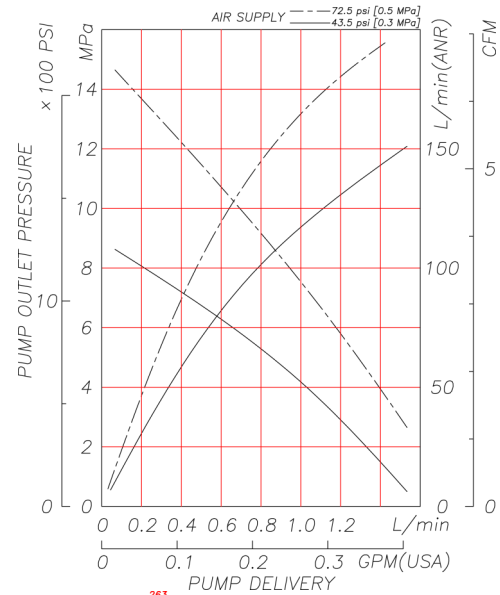
Air Motor Size		80	
Ratio		10:1	
for		PAIL	
Operating Air Pressure	MPa	0.2 - 0.7	
	psi	29 - 100	
	bar	2 - 7	
Discharge Volume / Cycle	gal.	0.016	
	lit.	0.061	
Max. Discharge Volume	GPM	1.12	
	LPM	4.25	
	MPa	8.4	
Max. Discharge Pressure	psi	1218.32	
	bar	84	
	Discharge Port Diameter		1/2"
Air Consumption / Cycle	43.5 psi	SCFM	5.55
	72.5 psi		7.59
Air Supply Port Diameter		HOSE ID 9mm	
Net Weight	lbs.	24.3	
	kg	11	

InkPRO – Type 80 10:1



Air Motor Size		80	
Ratio		25:1	
for		PAIL	
Operating Air Pressure	MPa	0.2 - 0.7	
	psi	29 - 100	
	bar	2 - 7	
Discharge Volume / Cycle	gal.	0.007	
	lit.	0.027	
Max. Discharge Volume	GPM	0.50	
	LPM	1.88	
	MPa	21.5	
Max. Discharge Pressure	psi	3118.32	
	bar	215	
	Discharge Port Diameter		1/2"
Air Consumption / Cycle	43.5 psi	SCFM	5.55
	72.5 psi		7.59
Air Supply Port Diameter		HOSE ID 9mm	
Net Weight	lbs.	22.0	
	kg	10	

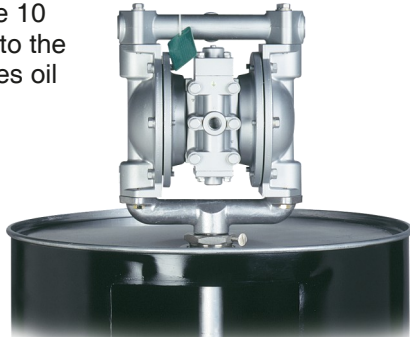
InkPRO – Type 80 25:1



# InkPRO® Ink Pump Accessories & Utility Pumps

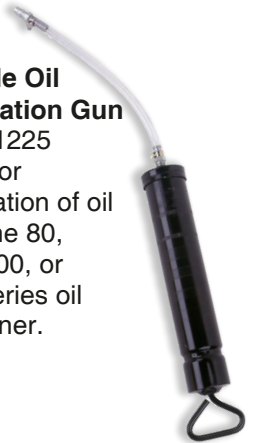


**Pale Top Oil Supply Pump**  
Part #1986  
Used to supply ISO-grade 10 (additive-free) spindle oil to the 80, 140, 200, or 250 Series oil Container.



**Drum Pump for Solvents and Washing Liquids**  
Stainless steel or aluminum construction includes 2" bung adapter and 33" suction tube. Available in 3/8" and 3/4" port sizes with flow rates up to 28 GPM.

**Spindle Oil Evacuation Gun**  
Part #1225  
Used for evacuation of oil from the 80, 140, 200, or 250 Series oil Container.



## Yamada Air-Powered Double Diaphragm Pumps

for dampener recirculation system or flexographic and rotogravure inks. **Applications:** Low viscosity inks; solvents and washing fluids. **Materials include:** 316 Stainless Steel, Aluminum, Cast Iron, Polypropylene, Acetal and Kynar. **Elastomers** include, but are not limited to: Santoprene, Teflon, Buna, Viton, Hytrel, EPDM & Neoprene. **Port Sizes:** 1/4", 3/8", 1/2", 3/4", 1", 1-1/2", 2" & 3" **Air Supply Pressure:** 20-100 psi (1.4 – 7kgf/cm). **Flow Rates** from 3.4 – 214 gpm. **Maximum Size Solid** from 1/32" – 13/32"

Visit [www.yamadapump.com](http://www.yamadapump.com) for further details, or toll free at 800-990-7867.

## NDP Series Pump Family



YOUR LOCAL REPRESENTATIVE

# Yamada

### Yamada America, Inc.

955 East Algonquin Rd, Arlington Heights, Illinois 60005

800 990-7867 Toll-Free

847 631-9200 Phone 847 631-9273 Fax

E-mail: [sales@yamadapump.com](mailto:sales@yamadapump.com)

Web: [www.yamadainkump.com](http://www.yamadainkump.com)

Designed & Printed in the USA  
Form #